

PAC MONITOR

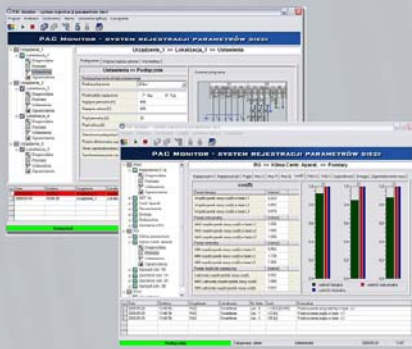
REGISTRATION MONITORING ARCHIVING



PAC Monitor - dedicated software for SENTRON PAC3200 analysers from **SIEMENS** company

Reading and archiving over 50 electrical parameters
Integration of 15 analysers PAC3200 in one ethernet network

REGISTRATION



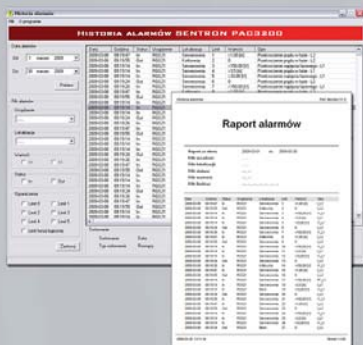
- Simple and pleasant interface
- Current reading over 50 electrical parameters
- Reading of MAX, MIN, AVG values for each measurement
- Measurement of energy and power demand
- Remote configuration of PAC3200
- User administration with permission level

ARCHIVING



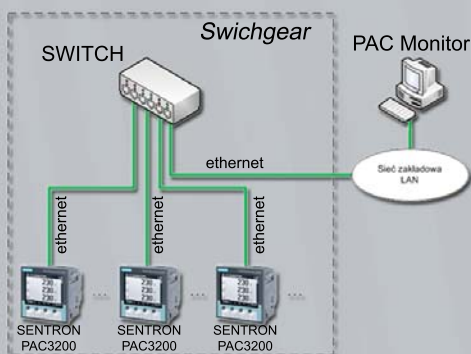
- Archiving 36 measured values
- Archiving 10 types of energy
- Period of the archiving of measurements from 0,5 sec
- Generating monthly reports
- Analysis of energy consumption
- Graphical representation of measured values
- Calculating of MAX, MIN, AVG, RMS values
- Export data to MS Excel

REPORTING



- Limits monitoring set in PAC3200
- Archiving incoming and outgoing limits
- Generating reports from limits exceedences
- Calculating statistical data
- Advanced presentation filter

TOPOLOGY



- Up to 15 analysers PAC3200 in one network
- Option simultaneous work of many communication network
- Possibility of using existing LAN network
- Simple configuration from the level application PAC Monitor
- Low cost of instalation
- Simple expansion of the system